

# Culligan<sup>®</sup>

## OWNERS GUIDE

### **Aquasential<sup>™</sup> Select Plus Series<sup>™</sup> and Select Series<sup>™</sup> Automatic Water Filters including Cullar<sup>®</sup>, Cullneu<sup>®</sup>, Filtr-Clear<sup>®</sup> & Iron-Clear<sup>®</sup> Water Filters**

**Models from 2021**





# Analytical Laboratory Services

Water Testing Made Easy.

Culligan's Analytical Laboratory provides its customers with quality water analysis using EPA approved methods. Our Analytical Laboratory is certified by the State of Illinois EPA, to be compliant with the National Environmental Laboratory Accreditation Conference (NELAC) standards. In addition to Illinois chemical certification, our Analytical Laboratory is certified to perform coliform and E. coli testing.

We strive to provide our customers with the testing they need at the lowest possible cost with the quickest turn-around time.

## STANDARD WATER TESTING

For sizing systems and general chemical water characteristics.

## WELL WATER TESTING

- Basic • Realtor
- Drilling Surveillance
- Expanded
- Gold

## SPECIAL WATER TESTING

- Hemodialysis • Scale
- Resin • Organic
- Microbiology
- Membrane

Contact your local Culligan Dealer today to make sure your water is it's best it can be.

**1-877-889-8195**

E-mail: [Water.Analysis@culligan.com](mailto:Water.Analysis@culligan.com)

[www.culligan.com](http://www.culligan.com)

You could give your people

*Culligan Water™*

*Culligan®*

# Table of Contents

---

About This Manual.....	4
Attention Culligan Customer:.....	5
Thank You!.....	6
Specifications .....	7
Application & Operation.....	9
Menu Navigation.....	10
Care & Cleaning .....	11
When & How to Bypass Your System.....	12
Things to Check Before You Call For Service .....	13
Performance Data Sheet.....	14
Records & Data .....	23
Culligan Limited Warranty .....	24

# About This Manual

## Read this Manual First

Before you operate the Culligan® unit, read this manual to become familiar with the device and its capabilities.

Installation or maintenance done on this system by an untrained service person can cause major damage to equipment or property damage. Not adhering to the recommended service/maintenance can cause damage to equipment or property damage.

## Safety Instructions and Safety Definitions

### Note

**NOTE!** “Note!” is used to emphasize installation, operation or maintenance information which is important, but does not present any hazard.

### Caution



**CAUTION!**

“Caution” is used when failure to follow directions could result in damage to equipment or property.

### Warning



**WARNING!**

“Warning” is used to indicate a hazard which could cause injury or death if ignored.

The **CAUTION** and **WARNING** paragraphs are not meant to cover all possible conditions and situations that may occur. It must be understood that common sense, caution, and careful attention are conditions which cannot be built into the equipment. These **MUST** be supplied by the personnel installing, operating, or maintaining the system.

**NOTE!** Be sure to check and follow the applicable plumbing codes and ordinances when installing this equipment.

**WARNING!** Use protective clothing and proper face or eye protection equipment when handling chemicals or power tools.

# Attention Culligan Customer:

We encourage Culligan users to learn about Culligan products, but we believe that product knowledge is best obtained by consulting with your Culligan dealer. Untrained individuals who use this manual assume the risk of any resulting property damage or personal injury.



**WARNING!**

Electrical shock hazard! Prior to servicing equipment, disconnect power supply to prevent electrical shock.

**WARNING!**

If incorrectly installed, operated, or maintained, this product can cause severe injury. Those who install, operate, or maintain this product should be trained in its proper use, warned of its dangers, and should read the entire manual before attempting to install, operate, or maintain this product. Failure to comply with any warning or caution that results in any damage will void the warranty.



**CAUTION!**

This system is to be supplied with cold water only.

**CAUTION!**

This product is not to be used by children or persons with reduced physical, sensory or mental capabilities, or lack of experience or knowledge, unless they have been given supervision or instruction. Children should be instructed not to play with this appliance.

**NOTE!** This system is not intended for use with water that is microbiologically unsafe or of unknown quality without adequate disinfection either before or after the system.

Check with your public works department for applicable local plumbing and sanitation codes. Follow local codes if they differ from the standards used in this manual. To ensure proper and efficient operation of this Culligan product to your full satisfaction, carefully follow the instructions in this manual.

Products manufactured and marketed by Culligan International Company (Culligan) and its affiliates are protected by patents issued or pending in the United States and other countries. Culligan reserves the right to change the specifications referred to in this literature at any time without prior notice. Culligan, Aqua-Sensor, and SoftMinder are trademarks of Culligan International Company or its affiliates.

**Culligan International Company**

9399 West Higgins Road, Suite 1100

Rosemont, Illinois 60018

1-847-430-2800

[www.culligan.com](http://www.culligan.com)

# Thank You!

## Welcome To Your New World of Better Living with Culligan Water.

Congratulations on selecting the Aquasential™ Select Plus Series™ & Select Series™ Water Filtration System. With Culligan's many years of knowledge and experience in water treatment, you can be confident that the model you selected has been designed and engineered to provide years of service with a minimum of care and attention.

If this is your first experience having filtered water in your home, you'll love the amazing difference it makes. We promise that you'll never want to be without it again.

The Culligan Aquasential Select Plus Series & Select Series Water Filtration System is designed to meet the needs of applications for high quality water. This manual contains important information about the unit, including information needed for installation, operating, and maintenance procedures. A troubleshooting section provides a guide for quick and accurate problem solving.

This manual is based on information available at the time it was finalized, approved, and published. Continuing design refinement could cause changes that may not be included in this publication.

Your local independently operated Culligan dealer employs trained service and maintenance personnel who are experienced in the installation, function and repair of Culligan equipment.

The Culligan Aquasential Select 8" and 10" Cullar Filters have been tested and certified by WQA against NSF/ANSI Standard 372, CSA B483.1, and NSF/ANSI Standard 42 for the effective reduction of aesthetic Chlorine Taste and Odor for 8" up to 100,000 gallons and 10" up to 130,000 gallons as verified and substantiated by test data.



The Culligan Aquasential Select Plus 10" Cullar Filter has been tested and certified by WQA against NSF/ANSI Standard 372, CSA B483.1, and NSF/ANSI Standard 42 for the effective reduction of aesthetic Chlorine Taste and Odor up to 180,000 gallons as verified and substantiated by test data.

The Culligan Aquasential Select 8" and 10" Filtr-Clear have been tested and certified by WQA against NSF/ANSI Standard 372, CSA B483.1, and NSF/ANSI Standard 42 for the Class IV ( $\geq 15 \mu\text{m}$  to  $< 30 \mu\text{m}$ ) particulate reduction as verified and substantiated by test data.

The Culligan Aquasential Select Plus™ 10" Filtr-Clear Filter has been tested and certified by WQA against NSF/ANSI Standard 372 and NSF/ANSI Standard 42 for the Class IV ( $\geq 15 \mu\text{m}$  to  $< 30 \mu\text{m}$ ) particulate reduction as verified and substantiated by test data.

The Culligan Aquasential Select 8" and 10" Cullneu Filter has been tested and certified by WQA against NSF/ANSI Standard 372, CSA B483.1, and NSF/ANSI/CAN Standard 61 for material safety requirement only. Not certified for contaminant reduction by WQA.

The Culligan Aquasential Select Plus 10" Cullneu Filter has been tested and certified by WQA against NSF/ANSI Standard 372, CSA B483.1, and NSF/ANSI/CAN Standard 61 for material safety requirement only. Not certified for contaminant reduction by WQA.

The Culligan Aquasential Select Plus 10" and 12" Iron-Clear Filter have been tested and certified by WQA against NSF/ANSI Standard 372, CSA B483.1, and NSF/ANSI Standard 42 for the effective reduction of iron for 10" up to 1,100 gallons and 12" up to 1,600 gallons as verified and substantiated by test data.

The Culligan Aquasential Select 8", 10" Filter Empty, and 10" Filter w/FP have been tested and certified by WQA against NSF/ANSI Standard 372, CSA B483.1, and NSF/ANSI/CAN Standard 61 for material safety requirement only. Not certified for contaminant reduction by WQA. No filter media or under bedding has been qualified with this system.

The Culligan Aquasential Select Plus 10" Filter Empty and 10" Filter w/FP have been tested and certified by WQA against NSF/ANSI Standard 372, CSA B483.1, and NSF/ANSI/CAN Standard 61 for material safety requirement only. Not certified for contaminant reduction by WQA. No filter media or under bedding has been qualified with this system.

Products manufactured and marketed by Culligan International Company (Culligan) and its affiliates are protected by patents issued or pending in the United States and other countries. Culligan reserves the right to change the specifications referred to in this literature at any time, without prior notice. Culligan, Cullar, Filtr-Clear, Cullneu, AccuSoft, Culligan Man and [www.culligan.com](http://www.culligan.com) are trademarks of Culligan International Company or its affiliates.

Licensed plumbers know that standard industry procedures include only to hand tighten or use strap wrenches on plastic parts. Plastic piping systems must be installed, operated and maintained in accordance with accepted standards and procedures. Not adhering to the recommended service/maintenance can cause damage to equipment or property damage.



# Specifications

## Aquasential Select Plus & Select Automatic Water Filters with Cullar, Cullneu, or Culls Media

	8" Select	10" Select	10" Select Plus
<b>General</b>			
Mineral Tank Size <sup>1</sup>	8 x 44 in.	10 x 54 in.	10 x 54 in.
Control	3/4" Power Valve	3/4" Power Valve	1" Power Valve
Electronic Platform	Accusoft	Accusoft	Accusoft
Temperature Limits	33-120°F	33-120°F	33-120°F
Water Pressure Limits	20-120 psi	20-120 psi	20-120 psi
Electrical Requirements (control valve)	24VAC/60Hz, 3W/10W (min/max)	24VAC/60Hz, 3W/10W (min/max)	24VAC/60Hz, 3W/10W (min/max)
<b>Filtr-Cleer®</b>			
Rated Service Flow	7.8 gpm	8.4 gpm	8.4 gpm
@ Initial Pressure Drop	@ 15 psi	@ 15 psi	@ 15 psi
Minimum Practical Filtration Size	15 microns	15 microns	15 microns
Maximum Particulate Matter	150 NTU	150 NTU	150 NTU
Maximum Suspended Solids	150 mg/L	150 mg/L	150 mg/L
Drain Flow, Maximum <sup>3</sup>	4.5 gpm	7.0 gpm	7.0 gpm
pH Limitation	6.0 - 9.5	6.0 - 9.5	6.0 - 9.5
Recharge Time <sup>4</sup>	22 min	22 min	22 min
Recharge Water Consumption, Av. <sup>5</sup>	90 gal	140 gal	140 gal
Freeboard <sup>2</sup>	10.5 ± 1 in	11.5 ± 1 in	19 ± 1.5 in
Height Overall	51 in	63 in	63 in
<b>Cullar®</b>			
Rated Service Flow	4.0 gpm	4.0 gpm	5.9 gpm
@ Pressure Drop	@ 5.0 psi	@ 5.0 psi	@ 5.0 psi
Drain Flow, Maximum <sup>3</sup>	2 gpm	5.5 gpm	5.5 gpm
pH Limitation	5.0 - 11.0	5.0 - 11.0	5.0 - 11.0
Recharge Time <sup>4</sup>	22 min	22 min	22 min
Recharge Water Consumption, Av. <sup>5</sup>	40 gal	110 gal	110 gal
Cullar Media Volume	0.75 ft <sup>3</sup>	1.5 ft <sup>3</sup>	1.5 ft <sup>3</sup>
Culls® Underbedding Media Amount	10 lb (.1 ft <sup>3</sup> )	20 lb (.2 ft <sup>3</sup> )	20 lb (.2 ft <sup>3</sup> )
Freeboard <sup>2</sup>	14 ± 1 in	24 ± 1 in	24 ± 1.5 in
Height Overall	51 in	63 in	63 in
Rated Capacity	100,000 gallons	180,000 gallons	180,000 gallons
<b>Cullneu®</b>			
Rated Service Flow	2.7 gpm	4.0 gpm	5.9 gpm
@ Pressure Drop	@ 3.0 psi	@ 4.0 psi	@ 4.0 psi
Drain Flow, Maximum <sup>3</sup>	3.5 gpm	5.5 gpm	5.5 gpm
pH Limitation*	5.8 - 6.2	5.8 - 6.8	5.2 - 6.8
Recharge Time <sup>4</sup>	22 min	22 min	22 min
Recharge Water Consumption, Av. <sup>5</sup>	70 gal	110 gal	110 gal
Cullneu Media Volume	1.0 ft <sup>3</sup>	1.5 ft <sup>3</sup>	1.5 ft <sup>3</sup>
Freeboard <sup>2</sup>	11 ± 1 in	21 ± 1 in	21 ± 1 in
Height Overall	51 in.	63 in.	63 in.

\* Under dynamic conditions, it may be necessary to mix five parts Cullneu with one part Cullneu C to effectively raise the pH. The combination of Cullneu and Cullneu C is not certified by WQA.

<sup>1</sup> Bottom of tank to top of tank fittings.

<sup>2</sup> From top of media bed, backwashed and drained, to top of filter tank.

<sup>3</sup> Backwash at 120 psi line pressure.

<sup>4</sup> Factory setting.

<sup>5</sup> At factory setting and 120 psi line pressure.

**NOTE!** Filtr-Cleer media is pre-measured, boxed, and shipped with each Filtr-Cleer system.

## Culligan Aquasential Select Plus Iron-Clear Filters

	10" Iron-Clear	12" Iron-Clear
Control Valve	1" reinforced thermoplastic	1" reinforced thermoplastic
Timer	Accusoft	Accusoft
Overall Conditioner Height	67"	65"
Media Tank Dimensions (D x H)	2 ea. 10" x 54"	2 ea. 12" x 52"
Filter Media Type	1.0 ft <sup>3</sup> birm	1.5 ft <sup>3</sup> birm
Underbedding		
G-50	35 lb	35 lb
Cullsan U	25 lb	25 lb
Capacity <sup>1</sup>	1100 gallons	1600 gallons
Freeboard <sup>2</sup>	21"	18"
Max. Clear Water (Soluble) Iron	10 ppm	10 ppm
Max. Hydrogen Sulfide	5.0 ppm	5.0 ppm
Minimum Alkalinity	100 ppm	100 ppm
pH for Iron Removal	7.0 - 8.5	7.0 - 8.5
Service Flow @ Pressure Drop (Clean Bed)		
Normal	4 gpm @ 11 psi	6 gpm @ 13 psi
Maximum <sup>3</sup>	6 gpm @ 9 psi	9 gpm @ 14 psi
Operating Pressure	20-60 psi	20-60 psi
Operating Temperature	33-120° F (1-48° C)	33-120° F (1-48° C)
Electrical Requirements (control valve)	24VAC/60Hz, 3W/10W (min/max)	24VAC/60Hz, 3W/10W (min/max)
Electrical Requirements (compressor)	120VAC/60Hz, 175W/245W (continuous/max)	120VAC/60Hz, 175W/245W (continuous/max)
Drain Flow, Maximum	7 gpm (5.5 gpm minimum required)	10 gpm (8.0 gpm minimum required)
Reconditioning Time		
Backwash	10 - 20 min	5 - 20 min
Fast Rinse	5 - 20 min	5 - 20 min

<sup>1</sup> Rated capacity based on 4 gpm and 10 mg/L of dissolved iron.

<sup>2</sup> Measured from top of media bed to top of tank inlet.

<sup>3</sup> Max flow rates & pressure drop characteristics have not been validated by the Water Quality Association.



# Application & Operation

It is helpful to understand how your Culligan® Select Plus or Select Water Filter functions and know its capabilities and limitations. The following section provides a brief explanation of how your Culligan filter system operates and the future anticipated service requirements to keep your system functioning efficiently and effectively.

## Cullar® Filter

Aquasential Select Plus and Select Filters with Cullar D+ activated carbon media can reduce chlorine and associated tastes and odors. Some other tastes and odors associated with naturally occurring organics may also be removed. Cullar D+ media can temporarily reduce hydrogen sulfide levels but if hydrogen sulfide is constantly present in the water an odor reduction system specifically designed for hydrogen sulfide reduction is necessary. Whenever the cause of an objectionable taste or odor has not been identified further water testing is required. Cullar D+ media should not be used with water that is of unknown microbiologically quality, is unsafe or contains nuisance bacteria without adequate chemical disinfection with chlorine prior to the Cullar filter system. Cullar D+ filters only require automatic reconditioning cycles to maintain system effectiveness. The Cullar D+ filter media can last for several years in many applications but will eventually need replacement by your local Culligan dealer when it loses its ability to satisfactorily reduce chlorine and its associated taste and odor.

## Filtr-Cleer®

Aquasential Select Plus and Select Filtr-Cleer Water Filters use multi-layered media capable of reducing particulate matter down to 15-microns in particle size. The stratified layers of progressively finer filter media allow filtration through the entire depth of the media bed. This method of filtration minimizes the pressure loss associated with filters that use only one grade of filter media. The Filtr-Cleer will not effectively remove colloidal matter and turbidity below the micron rating, color caused by organics or dissolved solids. Common applications follow:

- Reduction of suspended matter in the water.
- Reduction of particulate matter, such as clay, mud, and fine sediment.
- Prefiltration to remove oxidized iron prior to a water softening system.
- Reduction of light sand and sediments.
- After a retention tank when a Cul-Cleer® system with chemical feed is used for oxidation, coagulation, or flocculation.

Filtr-Cleer filters only require automatic reconditioning cycles to maintain effectiveness. The Filtr-Cleer media can last for several years in most applications. If pressure loss increases over time and can't be resolved by a reconditioning cycle the filter media may need replacement by your local Culligan dealer.

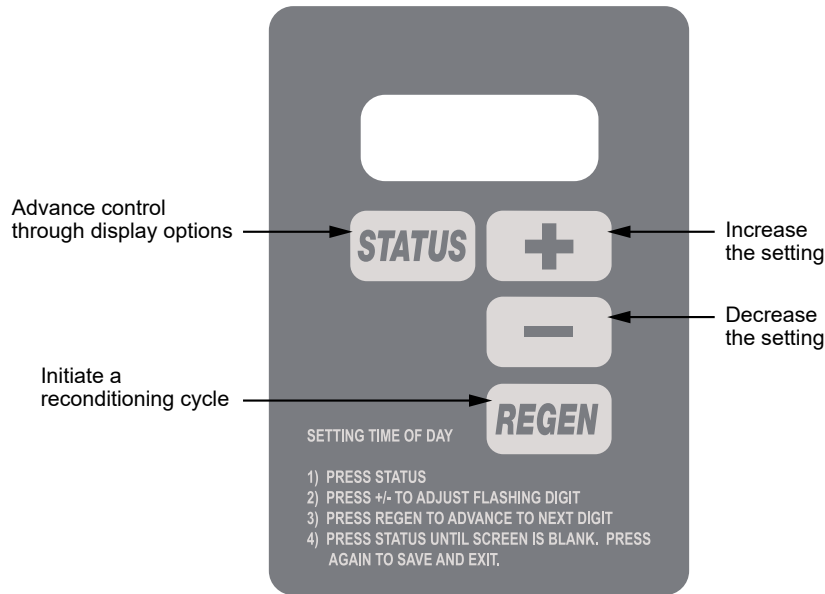
## Cullneu® Filter

Aquasential Select Plus and Select Water Filters with Cullneu Media can neutralize acidic water caused by low pH levels. Select Plus Filters can be used on waters with a pH level from 5.2 to 6.8 and Select Filters can be used on waters with a pH level of 5.8 to 6.8. Low pH levels are primarily caused by carbon dioxide in the water which forms carbonic acid. Carbonic acid can corrode copper piping resulting in blue/green staining, pipe damage and pin-hole leaks. Other metals in the plumbing system can also be corroded and dissolved including brass, lead and iron. Cullneu media is a high-purity form of calcium carbonate that reacts with carbonic acid in the water to convert it to bicarbonate alkalinity. This increases the pH and alkalinity level of the water and reduces the potential for corrosion. If the pH level is between 5.0 and 6.0 then one part of Cullneu C media (magnesium oxide) should be mixed with 5 parts of Cullneu media to provide additional neutralizing capability. Cullneu media is a sacrificial mineral and will dissolve into the water over time. During the neutralization process some hardness is also added to the water. Cullneu filters perform automatic reconditioning cycles to maintain effectiveness. Since Cullneu media is consumed in the neutralization process the media level in the filter tank will need to be periodically replenished by your Culligan dealer to ensure the proper level of pH elevation.

## Iron-Cleer® Filter

Aquasential Select Plus Iron-Cleer Filters are designed for iron and hydrogen sulfide removal. The two-tank Iron-Cleer system utilizes the process of aeration and oxidation followed by filtration with a catalytic filter media. The aeration process is initiated in the first tank by an integrated air compressor and shuttle valve that maintains and balances an airhead within the aeration tank. Water entering the aeration tank contacts air and starts the oxidation process. Iron begins to convert to the ferric form and hydrogen sulfide converts to sulfate and/or a filterable particle. Water exiting the aeration tank enters the filter tank where it contacts the Birm catalytic filter media to complete the oxidation and filtration process. An additional layer of Culligan G-50 filter media below the Birm offers additional filtration for smaller particles of oxidized iron and hydrogen sulfide. Iron-Cleer filters only require automatic reconditioning cycles to maintain effectiveness. The Iron-Cleer media can last for several years in most applications before requiring replacement by your local Culligan dealer.

# Menu Navigation



The programming menu for Select is outlined in the following table.

Table 1. Setting Time of Day

Setting	Display	Range Limits	Default
Time of Day		12:00 AM - 11:59 PM (12 hr) 00:00 - 23:59 (24 hr)	12:00 PM 12:00
*Time of Reconditioning		12:00 AM - 11:30 PM (12 hr) 00:00 - 23:30 (24 hr)	2:00 AM 02:00

## Reconditioning

There are several conditions that will cause the control to initiate a reconditioning cycle. The “REG” annunciator will light when the control has signaled for a reconditioning. The “REG” annunciator will flash while the control is in reconditioning.

The following are conditions that will call for reconditioning:

1. When the flow meter has recorded the passage of a predetermined number of gallons.
2. At the preset time, when the number of days without a reconditioning is equal to the Timeclock Backup setting.
3. At the preset time, when the “REGEN” button is depressed once. “REG” will light.
4. Immediately, when the “REGEN” button is depressed for three seconds. “REG” will light and blink.
5. Immediately, if power to the unit has been off for more than 3 hours and time of day has been restored.

# Care & Cleaning

These simple precautions, if followed, will help assure continued trouble-free service and keep your Culligan Water system looking like new for years.

- Use only mild soap and warm water when cleaning the exterior of the conditioner. Never use harsh, abrasive cleaning compounds or those which contain acid, such as vinegar, bleach and similar products.
- **Important:** Protect your water system and the entire drainline from freezing temperatures.



**WARNING!**

**If your unit should freeze, do not attempt to disassemble it. Call your Culligan Dealer.**

- **Important:** Culligan water systems are sold for use with potable water, only. If at any time the water becomes contaminated, such as during a “boil water” situation, the operation of the water system should be discontinued until it is verified that the water is again potable. To do this, turn the knob on the bypass valve to the bypass position. Then, call your Culligan dealer to have your system sanitized before it is placed back into service.
- Do not place heavy objects on top of the timer cover.

Following the manufacturer’s instructions regarding operation, maintenance and replacement requirements, including replacement of filters if applicable, is essential for Culligan’s products to perform as advertised.

Should service, adjustment, or trouble-shooting information be needed which is not covered in this Owners Guide, or if you have further questions, call your Culligan Dealer.

## Troubleshooting

The Culligan Select Plus & Select Series Filter is equipped with an advanced error detection system. During all operating modes the filter’s electronics are performing self-diagnostics to ensure that the unit is operating correctly. There may be times, however, when something may occur that could cause the unit to improperly operate. In those instances the microprocessor will identify the exact problem and alert the user with a telephone handset symbol in the upper left corner of the display and the error code will be shown. If the phone icon and error code are present contact your local dealer for assistance or service.

# When & How to Bypass Your System

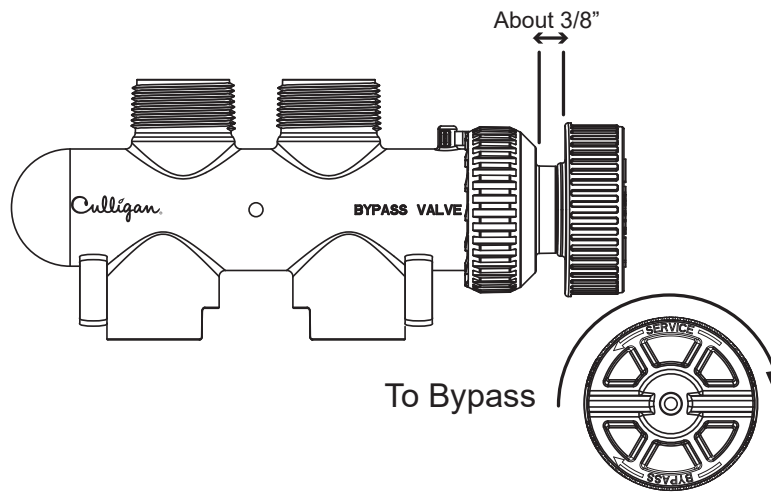
Normally, all water except outside lines passes through the water filter. There are times when the water filter should be bypassed, using the Cul-Flo-Valv® Bypass, or a three-way bypass valve. You should bypass:

1. If lines to outside faucets do not bypass the water filter, and you do not want to waste filtered water on lawn irrigation or other outside uses.
2. If you are going away on vacation and do not want the unit to recharge.

## Bypass Valve

In the back of Culligan water filter is a Cul-Flo-Valv® Bypass valve. To bypass the unit, turn the blue knob clockwise. To return to filtered water service, turn the blue knob counter-clockwise.

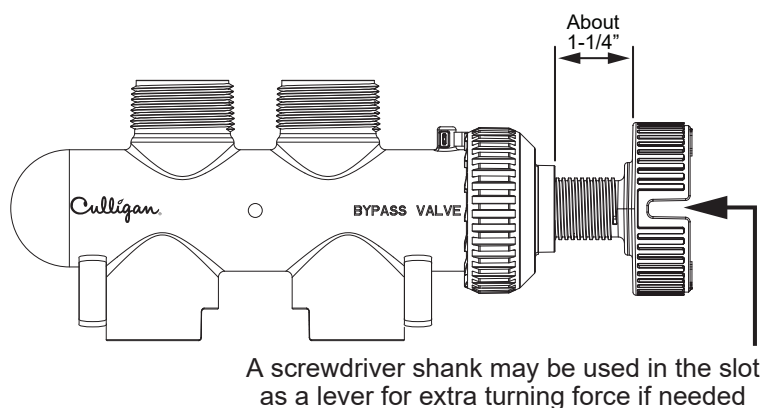
Figure 1. Bypass Position



## Bypassed

To BYPASS, turn the blue knob clockwise (see directional arrow on end of knob) until the knob stops as shown in [Figure 1](#). DO NOT OVERTIGHTEN!

Figure 2. Service Position



## Filtered Water

To return to SERVICE, turn the blue knob counter-clockwise (see directional arrow on end of knob) until the knob stops as shown in [Figure 2](#). DO NOT OVERTIGHTEN!

# Things to Check Before You Call For Service

If you unexpectedly experience a change in the quality of your water, make these simple checks before calling your Culligan dealer. One of the following conditions may be the reason for the change.

## Power Supply

Check your power supply cord. Is it plugged fully into the electric outlet? Be certain that the outlet is not controlled by a wall switch which has been turned off. Reset filter to proper time of day and then plug in if the power supply was interrupted.

## Tripped Circuit Breaker

Check the house circuit breaker panel. Reset a tripped circuit breaker. Reset control to proper time of day.

## Power Failure

An extended power disruption or daylight savings time could alter the time of reconditioning due to incorrect time of day displayed on your Culligan unit. Reset "Time of Day" following the step by step instructions printed on the cover of the unit below the display or in ["Table 1. Setting Time of Day" on page 10](#). An optional battery back-up may be added to maintain time of day during prolonged power outages. Please contact your local Culligan dealer for further information.

## Bypass Valves

Check to see if they are in the proper position. Cul-Flo-Valv<sup>®</sup> Bypass, if used, should be in the "Service" position (handle screwed out). If hand valves are used, see that inlet and outlet valve are opened and that the bypass valve is closed.

## No Water

If you aren't getting any water flow at all, make sure your water supply is working. Open a tap ahead of the filter (outside tap) to see if you have any water pressure. If you have water pressure, check the bypass valve. If it is in the Service position, put it into the bypass and call your Culligan dealer for service.

## Increased Usage

Guests, family additions, new water-using appliances, etc., all will result in more water usage and will require more capacity from your filter. You can reprogram your reconditioning cycle schedule by following the directions on ["Menu Navigation" on page 10](#). Call your Culligan dealer for advice and save a service call.

# Performance Data Sheet

## Culligan® Aquasential™ Select™ 8" and 10" Cullar® Filters

Culligan knows the more informed you are about your water treatment systems, the more confident you will be about its performance. It's because of this and more than seventy years of commitment to customer satisfaction that Culligan is providing this Performance Data Sheet to its customers.

**NOTE!** Read this Performance Data Sheet and compare the capabilities of this unit with your actual water treatment needs. It is recommended that before purchasing a water treatment unit, you have your water supply tested to determine your actual water treatment needs.

Manufacturer: Culligan International Company  
9399 W. Higgins Rd., Suite 1100  
Rosemont, IL 60018 USA  
(847) 430-2800  
[www.culligan.com](http://www.culligan.com)

Product: Culligan® Aquasential™ Select™ 8" and 10" Cullar® Filters

### Substance Reduction

These systems have been tested according to NSF/ANSI Standard 42 for the reduction of the substances listed below. The concentration of the indicated substances in water entering the system was reduced to a concentration less than or equal to the permissible limit for water leaving the system, as specified in NSF/ANSI Standard 42.

While testing was performed under standard laboratory conditions, actual performance may vary.

Substance	Influent Challenge pH	Effluent pH Requirement
Chlorine	2.0 mg/L ± 10%	≥50%

Flow Rate: 5.9 gpm  
Rated Pressure Drop: 5.9 gpm @ 5 psi

### Operating Conditions

Water Pressure Limits: 20 - 120 psi (140 - 860 kpa)  
Canada: 20 - 90 psi (140 - 620 kpa)  
Temperature Limits: 33 - 120° F (1 - 50° C)  
Electrical Characteristics: 24V/60Hz, 10W

The Culligan® Aquasential™ Select™ Series 8" and 10" Cullar® Filters have been tested and certified by WQA against NSF/ANSI Standard 372, CSA B483.1, and NSF/ANSI Standard 42 for the effective reduction of aesthetic Chlorine Taste and Odor for 8" up to 100,000 gallons and 10" up to 130,000 gallons as verified and substantiated by test data.



Performance Indicator: If water flow decreases or a noticeable taste change occurs, a reconditioning cycle should be initiated. If conditions do not improve, contact your local Culligan dealer. They can determine if your filter requires servicing. Do not use with water that is microbiologically unsafe or of unknown quality without adequate disinfection before or after the system.

Media Replacement Frequency: Replacement frequency will vary with water conditions.

Refer to your Owner's Guide and printed limited Warranties (P/N 01040677) for more specific product information. To avoid contamination from improper handling and installation, your system should only be installed and serviced by your Culligan Dealer. Performance will vary based on local water conditions. The substances reduced by this product are not necessarily in your water.

Buyer Signature \_\_\_\_\_ Date \_\_\_\_\_  
Seller Signature \_\_\_\_\_ Date \_\_\_\_\_



## Culligan® Aquasential™ Select Plus™ 10" Cullar® Filter

Culligan knows the more informed you are about your water treatment systems, the more confident you will be about its performance. It's because of this and more than seventy years of commitment to customer satisfaction that Culligan is providing this Performance Data Sheet to its customers.

**NOTE!** Read this Performance Data Sheet and compare the capabilities of this unit with your actual water treatment needs. It is recommended that before purchasing a water treatment unit, you have your water supply tested to determine your actual water treatment needs.

Manufacturer: Culligan International Company  
9399 W. Higgins Rd., Suite 1100  
Rosemont, IL 60018 USA  
(847) 430-2800  
[www.culligan.com](http://www.culligan.com)

Product: Culligan® Aquasential™ Select Plus™ 10" Cullar® Filter

### Substance Reduction

This system has been tested according to NSF/ANSI Standard 42 for the reduction of the substances listed below. The concentration of the indicated substances in water entering the system was reduced to a concentration less than or equal to the permissible limit for water leaving the system, as specified in NSF/ANSI Standard 42.

While testing was performed under standard laboratory conditions, actual performance may vary.

Substance	Influent Challenge pH	Effluent pH Requirement
Chlorine	2.0 mg/L ± 10%	≥50%

Flow Rate: 5.9 gpm  
Rated Pressure Drop: 5.9 gpm @ 5 psi

### Operating Conditions

Water Pressure Limits: 20 - 120 psi (140 - 860 kpa)  
Canada: 20 - 90 psi (140 - 620 kpa)  
Temperature Limits: 33 - 120° F (1 - 50° C)  
Electrical Characteristics: 24V/60Hz, 10W

The Culligan® Aquasential™ Select Plus™ Series 10" Cullar® Filter has been tested and certified by WQA against NSF/ANSI Standard 372, CSA B483.1, and NSF/ANSI Standard 42 for the effective reduction of aesthetic Chlorine Taste and Odor up to 180,000 gallons as verified and substantiated by test data.



Performance Indicator: If water flow decreases or a noticeable taste change occurs, a reconditioning cycle should be initiated. If conditions do not improve, contact your local Culligan dealer. They can determine if your filter requires servicing. Do not use with water that is microbiologically unsafe or of unknown quality without adequate disinfection before or after the system.

Media Replacement Frequency: Replacement frequency will vary with water conditions.

Refer to your Owner's Guide and printed limited Warranties (P/N 01040677) for more specific product information. To avoid contamination from improper handling and installation, your system should only be installed and serviced by your Culligan Dealer. Performance will vary based on local water conditions. The substances reduced by this product are not necessarily in your water.

Buyer Signature \_\_\_\_\_ Date \_\_\_\_\_

Seller Signature \_\_\_\_\_ Date \_\_\_\_\_

## Culligan® Aquasential™ Select™ 8" and 10" Filtr-Clear Filters

Culligan knows the more informed you are about your water treatment systems, the more confident you will be about its performance. It's because of this and more than seventy years of commitment to customer satisfaction that Culligan is providing this Performance Data Sheet to its customers.

**NOTE!** Read this Performance Data Sheet and compare the capabilities of this unit with your actual water treatment needs. It is recommended that before purchasing a water treatment unit, you have your water supply tested to determine your actual water treatment needs.

Manufacturer: Culligan International Company  
 9399 W. Higgins Rd., Suite 1100  
 Rosemont, IL 60018 USA  
 (847) 430-2800  
[www.culligan.com](http://www.culligan.com)

Product: Culligan® Aquasential™ Select™ 8" and 10" Filtr-Clear Filters

### Substance Reduction

These systems have been tested according to NSF/ANSI Standard 42 for the reduction of the substances listed below. The concentration of the indicated substances in water entering the system was reduced to a concentration less than or equal to the permissible limit for water leaving the system, as specified in NSF/ANSI Standard 42.

While testing was conducted under standard laboratory conditions, actual performance may vary.

Substance	Influent Challenge pH	Effluent pH Requirement
Particulate, Class IV particles $\geq 15$ to $< 30 \mu\text{m}$	At least 1,000 particles/mL	$\geq 85\%$

### Operating Conditions

Water Pressure Limits: 20 - 120 psi (140 - 860 kpa)  
 Canada: 20 - 90 psi (140 - 620 kpa)  
 Temperature Limits: 33 - 120° F (1 - 50° C)  
 Electrical Characteristics: 24V/60Hz, 10W

The Culligan® Aquasential™ Select™ 8" and 10" Filtr-Clear Filters have been tested and certified by WQA against NSF/ANSI Standard 372 and NSF/ANSI Standard 42 for the Class IV ( $\geq 15 \mu\text{m}$  to  $< 30 \mu\text{m}$ ) particulate reduction as verified and substantiated by test data.



Performance Indicator: If water flow decreases or a noticeable taste change occurs, a reconditioning cycle should be initiated. If conditions do not improve, contact your local Culligan dealer. They can determine if your filter requires servicing. Do not use with water that is microbiologically unsafe or of unknown quality without adequate disinfection before or after the system.

Media Replacement Frequency: Replacement frequency will vary with water conditions.

Refer to your Owner's Guide and printed limited Warranties (P/N 01040677) for more specific product information. To avoid contamination from improper handling and installation, your system should only be installed and serviced by your Culligan Dealer. Performance will vary based on local water conditions. The substances reduced by this product are not necessarily in your water.

Buyer Signature \_\_\_\_\_ Date \_\_\_\_\_

Seller Signature \_\_\_\_\_ Date \_\_\_\_\_

## Culligan® Aquasential™ Select Plus™ 10" Filtr-Cleer Filter

Culligan knows the more informed you are about your water treatment systems, the more confident you will be about its performance. It's because of this and more than seventy years of commitment to customer satisfaction that Culligan is providing this Performance Data Sheet to its customers.

**NOTE!** Read this Performance Data Sheet and compare the capabilities of this unit with your actual water treatment needs. It is recommended that before purchasing a water treatment unit, you have your water supply tested to determine your actual water treatment needs.

Manufacturer: Culligan International Company  
9399 W. Higgins Rd., Suite 1100  
Rosemont, IL 60018 USA  
(847) 430-2800  
[www.culligan.com](http://www.culligan.com)

Product: Culligan® Aquasential™ Select Plus™ 10" Filtr-Cleer Filter

### Substance Reduction

This system has been tested according to NSF/ANSI Standard 42 for the reduction of the substances listed below. The concentration of the indicated substances in water entering the system was reduced to a concentration less than or equal to the permissible limit for water leaving the system, as specified in NSF/ANSI Standard 42.

While testing was conducted under standard laboratory conditions, actual performance may vary.

Substance	Influent Challenge pH	Effluent pH Requirement
Particulate, Class IV particles $\geq 15$ to $< 30 \mu\text{m}$	At least 1,000 particles/mL	$\geq 85\%$

Flow Rate: 5.9 gpm  
Rated Pressure Drop: 5.9 gpm @ 5 psi

### Operating Conditions

Water Pressure Limits: 20 - 120 psi (140 - 860 kpa)  
Canada: 20 - 90 psi (140 - 620 kpa)  
Temperature Limits: 33 - 120° F (1 - 50° C)  
Electrical Characteristics: 24V/60Hz, 10W

The Culligan® Aquasential™ Select Plus™ 10" Filtr-Cleer Filter has been tested and certified by WQA against NSF/ANSI Standard 372 and NSF/ANSI Standard 42 for the Class IV ( $\geq 15 \mu\text{m}$  to  $< 30 \mu\text{m}$ ) particulate reduction as verified and substantiated by test data.



Performance Indicator: If water flow decreases or a noticeable taste change occurs, a reconditioning cycle should be initiated. If conditions do not improve, contact your local Culligan dealer. They can determine if your filter requires servicing. Do not use with water that is microbiologically unsafe or of unknown quality without adequate disinfection before or after the system.

Media Replacement Frequency: Replacement frequency will vary with water conditions.

Refer to your Owner's Guide and printed limited Warranties (P/N 01040677) for more specific product information. To avoid contamination from improper handling and installation, your system should only be installed and serviced by your Culligan Dealer. Performance will vary based on local water conditions. The substances reduced by this product are not necessarily in your water.

Buyer Signature \_\_\_\_\_ Date \_\_\_\_\_

Seller Signature \_\_\_\_\_ Date \_\_\_\_\_

## Culligan® Aquasential™ Select™ 8" and 10" with Cullneu® Filters

Culligan knows the more informed you are about your water treatment systems, the more confident you will be about its performance. It's because of this and more than seventy years of commitment to customer satisfaction that Culligan is providing this Performance Data Sheet to its customers.

**NOTE!** Read this Performance Data Sheet and compare the capabilities of this unit with your actual water treatment needs. It is recommended that before purchasing a water treatment unit, you have your water supply tested to determine your actual water treatment needs.

Manufacturer: Culligan International Company  
9399 W. Higgins Rd., Suite 1100  
Rosemont, IL 60018 USA  
(847) 430-2800  
[www.culligan.com](http://www.culligan.com)

Product: Culligan® Aquasential™ Select™ 8" and 10" with Cullneu® Filters

These systems have been tested in accordance with NSF/ANSI/CAN Standard 61 for material safety requirement only. Not certified for contaminant reduction by WQA.

While testing was performed under standard laboratory conditions, actual performance may vary.

Flow Rate: 2.7 gpm for the 8" Filter  
4.0 gpm for the 10" Filter  
Rated Pressure Drop: 2.7 gpm @ 3 psi for the 8" Filter  
4.0 gpm @ 4 psi for the 10" Filter

### Operating Conditions

Water Pressure Limits: 20 - 120 psi (140 - 860 kpa)  
Canada: 20 - 90 psi (140 - 620 kpa)  
Temperature Limits: 33 - 120° F (1 - 50° C)  
Electrical Characteristics: 24V/60Hz, 10W

The Culligan® Aquasential™ Select Series™ 8" and 10" with Cullneu® Filters have been tested and certified by WQA against NSF/ANSI Standard 372, CSA B483.1, and NSF/ANSI/CAN Standard 61 for material safety requirement only. Not certified for contaminant reduction by WQA.



Performance Indicator: If water flow decreases or a noticeable taste change occurs, a reconditioning cycle should be initiated. If conditions do not improve, contact your local Culligan dealer. They can determine if your filter requires servicing. Do not use with water that is microbiologically unsafe or of unknown quality without adequate disinfection before or after the system.

Media Replacement Frequency: Replacement frequency will vary with water conditions.

Refer to your Owner's Guide and printed limited Warranties (P/N 01040677) for more specific product information. To avoid contamination from improper handling and installation, your system should only be installed and serviced by your Culligan Dealer. Performance will vary based on local water conditions. The substances reduced by this product are not necessarily in your water.

Buyer Signature \_\_\_\_\_ Date \_\_\_\_\_

Seller Signature \_\_\_\_\_ Date \_\_\_\_\_

## Culligan® Aquasential™ Select Plus™ 10" with Cullneu® Filter

Culligan knows the more informed you are about your water treatment systems, the more confident you will be about its performance. It's because of this and more than seventy years of commitment to customer satisfaction that Culligan is providing this Performance Data Sheet to its customers.

**NOTE!** Read this Performance Data Sheet and compare the capabilities of this unit with your actual water treatment needs. It is recommended that before purchasing a water treatment unit, you have your water supply tested to determine your actual water treatment needs.

Manufacturer: Culligan International Company  
9399 W. Higgins Rd., Suite 1100  
Rosemont, IL 60018 USA  
(847) 430-2800  
[www.culligan.com](http://www.culligan.com)

Product: Culligan® Aquasential™ Select Plus™ 10" with Cullneu® Filter

This system has been tested in accordance with NSF/ANSI/CAN Standard 61 for material safety requirement only. Not certified for contaminant reduction by WQA.

While testing was performed under standard laboratory conditions, actual performance may vary.

Flow Rate: 5.9 gpm  
Rated Pressure Drop: 5.9 gpm @ 4 psi

### Operating Conditions

Water Pressure Limits: 20 - 120 psi (140 - 860 kpa)  
Canada: 20 - 90 psi (140 - 620 kpa)  
Temperature Limits: 33 - 120° F (1 - 50° C)  
Electrical Characteristics: 24V/60Hz, 10W

The Culligan® Aquasential™ Select Plus™ Series 10" with Cullneu® Filter has been certified by WQA against NSF/ANSI Standard 372, CSA B483.1, and NSF/ANSI/CAN Standard 61 for material safety requirement only. Not certified for contaminant reduction by WQA.



Performance Indicator: If water flow decreases or a noticeable taste change occurs, a reconditioning cycle should be initiated. If conditions do not improve, contact your local Culligan dealer. They can determine if your filter requires servicing. Do not use with water that is microbiologically unsafe or of unknown quality without adequate disinfection before or after the system.

Media Replacement Frequency: Replacement frequency will vary with water conditions.

Refer to your Owner's Guide and printed limited Warranties (P/N 01040677) for more specific product information. To avoid contamination from improper handling and installation, your system should only be installed and serviced by your Culligan Dealer. Performance will vary based on local water conditions. The substances reduced by this product are not necessarily in your water.

Buyer Signature \_\_\_\_\_ Date \_\_\_\_\_

Seller Signature \_\_\_\_\_ Date \_\_\_\_\_

## Culligan® Aquasential™ Select Plus™ 10" and 12" Iron-Cleer® Filter

Culligan knows the more informed you are about your water treatment systems, the more confident you will be about its performance. It's because of this and more than seventy years of commitment to customer satisfaction that Culligan is providing this Performance Data Sheet to its customers.

**NOTE!** Read this Performance Data Sheet and compare the capabilities of this unit with your actual water treatment needs. It is recommended that before purchasing a water treatment unit, you have your water supply tested to determine your actual water treatment needs.

Manufacturer: Culligan International Company  
 9399 W. Higgins Rd., Suite 1100  
 Rosemont, IL 60018 USA  
 (847) 430-2800  
[www.culligan.com](http://www.culligan.com)

Product: Culligan® Aquasential™ Select Plus™ 10" and 12" Iron-Cleer Filter

### Substance Reduction

These systems have been tested according to NSF/ANSI Standard 42 for the reduction of the substances listed below. The concentration of the indicated substances in water entering the system was reduced to a concentration less than or equal to the permissible limit for water leaving the system, as specified in NSF/ANSI Standard 42.

While testing was conducted under standard laboratory conditions, actual performance may vary.

Substance	Influent Challenge Concentration	Maximum Permissible Product Water Concentration
Iron	9-11 mg/L	0.3 mg/L

### Operating Conditions

Water Pressure Limits: 20 - 90 psi (140 - 620 kpa)  
 Canada: 20 - 90 psi (140 - 620 kpa)  
 Temperature Limits: 33 - 120° F (1 - 50° C)  
 Electrical Characteristics: 120VAC/60Hz, 10W

The Culligan Aquasential Select Plus 10" and 12" Iron-Cleer Filter have been tested and certified by WQA against NSF/ANSI Standard 372, CSA B483.1, and NSF/ANSI Standard 42 for the effective reduction of iron for 10" up to 1,100 gallons and 12" up to 1,600 gallons as verified and substantiated by test data.



Performance Indicator: If water flow decreases or a noticeable taste change occurs, a reconditioning cycle should be initiated. If conditions do not improve, contact your local Culligan dealer. They can determine if your filter requires servicing. Do not use with water that is microbiologically unsafe or of unknown quality without adequate disinfection before or after the system.

Media Replacement Frequency: Replacement frequency will vary with water conditions.

Refer to your Owner's Guide and printed limited Warranties (P/N 01040677) for more specific product information. To avoid contamination from improper handling and installation, your system should only be installed and serviced by your Culligan Dealer. Performance will vary based on local water conditions. The substances reduced by this product are not necessarily in your water.

Buyer Signature \_\_\_\_\_ Date \_\_\_\_\_

Seller Signature \_\_\_\_\_ Date \_\_\_\_\_



## Culligan® Aquasential™ Select™ 8", 10" Filter Empty, and 10" Filter w/FP

Culligan knows the more informed you are about your water treatment systems, the more confident you will be about its performance. It's because of this and more than seventy years of commitment to customer satisfaction that Culligan is providing this Performance Data Sheet to its customers.

**NOTE!** Read this Performance Data Sheet and compare the capabilities of this unit with your actual water treatment needs. It is recommended that before purchasing a water treatment unit, you have your water supply tested to determine your actual water treatment needs.

Manufacturer: Culligan International Company  
9399 W. Higgins Rd., Suite 1100  
Rosemont, IL 60018 USA  
(847) 430-2800  
[www.culligan.com](http://www.culligan.com)

Product: Culligan® Aquasential™ Select™ 8" , 10" Filter Empty and 10" Filter w/FP

This system has been tested in accordance with NSF/ANSI/CAN Standard 61 for material safety requirement only. Not certified for contaminant reduction by WQA. No filtering media or under bedding has been qualified with this system.

While testing was conducted under standard laboratory conditions, actual performance may vary.

### Operating Conditions

Water Pressure Limits: 20 - 120 psi (140 - 860 kpa)  
Canada: 20 - 90 psi (140 - 620 kpa)  
Temperature Limits: 33 - 120° F (1 - 50° C)  
Electrical Characteristics: 24V/60Hz, 10W

The Culligan® Aquasential™ Select™ 8", 10" Filter Empty and 10" Filter w/FP have been tested and certified by WQA against NSF/ANSI Standard 372, CSA B483.1, and NSF/ANSI/CAN Standard 61 for material safety requirement only. Not certified for contaminant reduction by WQA. No filtering media or underbedding has been qualified with this system.



Performance Indicator: If water flow decreases or a noticeable taste change occurs, a reconditioning cycle should be initiated. If conditions do not improve, contact your local Culligan dealer. They can determine if your filter requires servicing. Do not use with water that is microbiologically unsafe or of unknown quality without adequate disinfection before or after the system.

Media Replacement Frequency: Replacement frequency will vary with type of media used and water conditions.

Refer to your Owner's Guide and printed limited Warranties (P/N 01040677) for more specific product information. To avoid contamination from improper handling and installation, your system should only be installed and serviced by your Culligan Dealer. Performance will vary based on local water conditions. The substances reduced by this product are not necessarily in your water.

Buyer Signature \_\_\_\_\_ Date \_\_\_\_\_

Seller Signature \_\_\_\_\_ Date \_\_\_\_\_

## Culligan® Aquasential™ Select Plus™ 10" Filter Empty and 10" Filter w/FP

Culligan knows the more informed you are about your water treatment systems, the more confident you will be about its performance. It's because of this and more than seventy years of commitment to customer satisfaction that Culligan is providing this Performance Data Sheet to its customers.

**NOTE!** Read this Performance Data Sheet and compare the capabilities of this unit with your actual water treatment needs. It is recommended that before purchasing a water treatment unit, you have your water supply tested to determine your actual water treatment needs.

Manufacturer: Culligan International Company  
9399 W. Higgins Rd., Suite 1100  
Rosemont, IL 60018 USA  
(847) 430-2800  
[www.culligan.com](http://www.culligan.com)

Product: Culligan® Aquasential™ Select Plus™ 10" Filter Empty and 10" Filter w/FP

This system has been tested in accordance with NSF/ANSI/CAN Standard 61 for material safety requirement only. Not certified for contaminant reduction by WQA. No filtering media or under bedding has been qualified with this system.

While testing was conducted under standard laboratory conditions, actual performance may vary.

### Operating Conditions

Water Pressure Limits: 20 - 120 psi (140 - 860 kpa)  
Canada: 20 - 90 psi (140 - 620 kpa)  
Temperature Limits: 33 - 120° F (1 - 50° C)  
Electrical Characteristics: 24V/60Hz, 10W

The Culligan® Aquasential™ Select Plus™ 10" Filter Empty and 10" Filter w/FP have been tested and certified by WQA against NSF/ANSI Standard 372, CSA B483.1, and NSF/ANSI/CAN Standard 61 for material safety requirement only. Not certified for contaminant reduction by WQA. No filtering media or underbedding has been qualified with this system.



Performance Indicator: If water flow decreases or a noticeable taste change occurs, a reconditioning cycle should be initiated. If conditions do not improve, contact your local Culligan dealer. They can determine if your filter requires servicing. Do not use with water that is microbiologically unsafe or of unknown quality without adequate disinfection before or after the system.

Media Replacement Frequency: Replacement frequency will vary with type of media used and water conditions.

Refer to your Owner's Guide and printed limited Warranties (P/N 01040677) for more specific product information. To avoid contamination from improper handling and installation, your system should only be installed and serviced by your Culligan dealer. Performance will vary based on local water conditions. The substances reduced by this product are not necessarily in your water.

Buyer Signature \_\_\_\_\_ Date \_\_\_\_\_

Seller Signature \_\_\_\_\_ Date \_\_\_\_\_

# Records & Data

## Important Information about your Culligan Water Filter System

Please fill in the information below for future reference. If you have any questions regarding your Culligan water system, please contact the dealer that installed your system for assistance.

Addition information may also be found by visiting: [www.culligan.com](http://www.culligan.com)

### System and Dealer Identification

System Name \_\_\_\_\_

Model Name: \_\_\_\_\_

Control Valve Model # \_\_\_\_\_

Control Valve Serial # \_\_\_\_\_

Date of Installation: \_\_\_\_\_

Tank Serial # \_\_\_\_\_

Culligan Dealer: \_\_\_\_\_

City/Town: \_\_\_\_\_

Dealer Phone # \_\_\_\_\_

State: \_\_\_\_\_

### System Settings

Time of Regeneration \_\_\_\_\_ AM/PM

Recommended Culligan Service Interval:

Gallons Capacity Per Reconditioning: \_\_\_\_\_

Annual: \_\_\_\_\_ Bi-Annual: \_\_\_\_\_

Day Override / Interval: \_\_\_\_\_

\_\_\_\_\_ Replenish Neutralizing Media (Cullneu only)

Media Life (estimated): \_\_\_\_\_

Owner Maintenance:

\_\_\_\_\_ Replace Cartridge Filter(s)

\_\_\_\_\_ Replenish chlorine solution (Sulfur-Cleer only)

### Water Analysis

Hardness \_\_\_\_\_ grains/gallon

Total Dissolved Solids - TDS \_\_\_\_\_ mg/l

pH level (acidity) \_\_\_\_\_ S.U.

Alkalinity \_\_\_\_\_ grains/gallon

Iron \_\_\_\_\_ mg/l

Manganese \_\_\_\_\_ mg/l

Chlorine \_\_\_\_\_ mg/l

Hydrogen Sulfide (H<sub>2</sub>S) \_\_\_\_\_ mg/l

Nitrate \_\_\_\_\_ mg/l

Sodium \_\_\_\_\_ mg/l

Arsenic \_\_\_\_\_ mg/l

Chloride \_\_\_\_\_ mg/l

**NOTE!** mg/l (milligrams per liter) and ppm (parts per million) are equivalent units of measurement 1 grain = 17.1 mg/l

# Culligan Limited Warranty

## Culligan Water Treatment System

You have just purchased one of the finest water filters made. As an expression of our confidence in Culligan International Company products, your water filter is warranted to the original end-user, when installed in accordance with Culligan specifications, against defects in material and workmanship from the date of original installation, as follows:

<b>For a period of TEN YEARS</b>	<ul style="list-style-type: none"><li>• The control valve body, excluding internal parts</li><li>• The filter tank</li></ul>
<b>For a period of FIVE YEARS</b>	<ul style="list-style-type: none"><li>• The AccuSoft® circuit board, or Soft-Minder® meter, if so equipped</li></ul>
<b>For a period of ONE YEAR</b>	<ul style="list-style-type: none"><li>• The entire filter</li></ul>

If a part described above is found defective within the specified period, you should notify your independently operated Culligan dealer and arrange a time during normal business hours for the dealer to inspect the water treatment unit on your premises. Any part found defective within the terms of this warranty will be repaired or replaced by the dealer. You pay only freight from our factory and local dealer charges.

We are not responsible for damage caused by accident, fire, flood, freezing, Act of God, misuse, misapplication, neglect, oxidizing agents (such as chlorine, ozone, chloramines and other related components), alteration, installation or operation contrary to our written instructions, or by the use of accessories or components which do not meet Culligan specifications, is not covered by this warranty. Warranty is void if system is installed outside a building without being rated for outdoor use. Refer to the specifications section in the Installation and Operating manual for application parameters.

Our product performance specifications are furnished with each water filter unit. To the extent permitted by law, Culligan disclaims all implied warranties, including without limitation warranties of merchantability and fitness for particular purpose; to the extent required by law, any such implied warranties are limited in duration to the one-year period specified above for the entire conditioner. As a manufacturer, we do not know the characteristics of your water supply or the purpose for which you are purchasing a water filter. The quality of water supplies may vary seasonally or over a period of time, and your water usage rate may vary as well. Water characteristics can also differ considerably if your water filter is moved to a new location. For these reasons, we assume no liability for the determination of the proper equipment necessary to meet your requirements, and we do not authorize others to assume such obligations for us. Further, we assume no liability and extend no warranties, express or implied, for the use of this product with a non-potable water source. Warranty is void if system is installed outside a building without being rated for outdoor use. Our obligations under this warranty are limited to the repair or replacement of the failed parts of the water filter, and we assume no liability whatsoever for direct, indirect, incidental, consequential, special, general, or other damages.

Some states do not allow the exclusion of implied warranties or limitations on how long an implied warranty lasts, so the above limitation may not apply to you. Similarly, some states do not allow the exclusion of incidental or consequential damages, so the above limitation or exclusion may not apply to you. This warranty gives you specific legal rights, and you may also have other rights which vary from state to state. Consult your telephone directory for your local independently operated Culligan dealer, or write Culligan International Company for warranty and service information.

### Culligan International Company

9399 W. Higgins Rd., Suite 1100  
Rosemont, IL 60018 USA  
1-800-CULLIGAN or 1-847-430-2800  
[www.culligan.com](http://www.culligan.com)